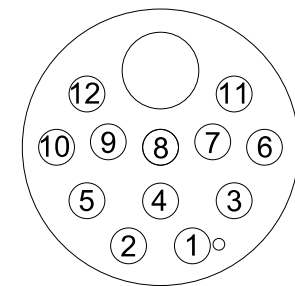
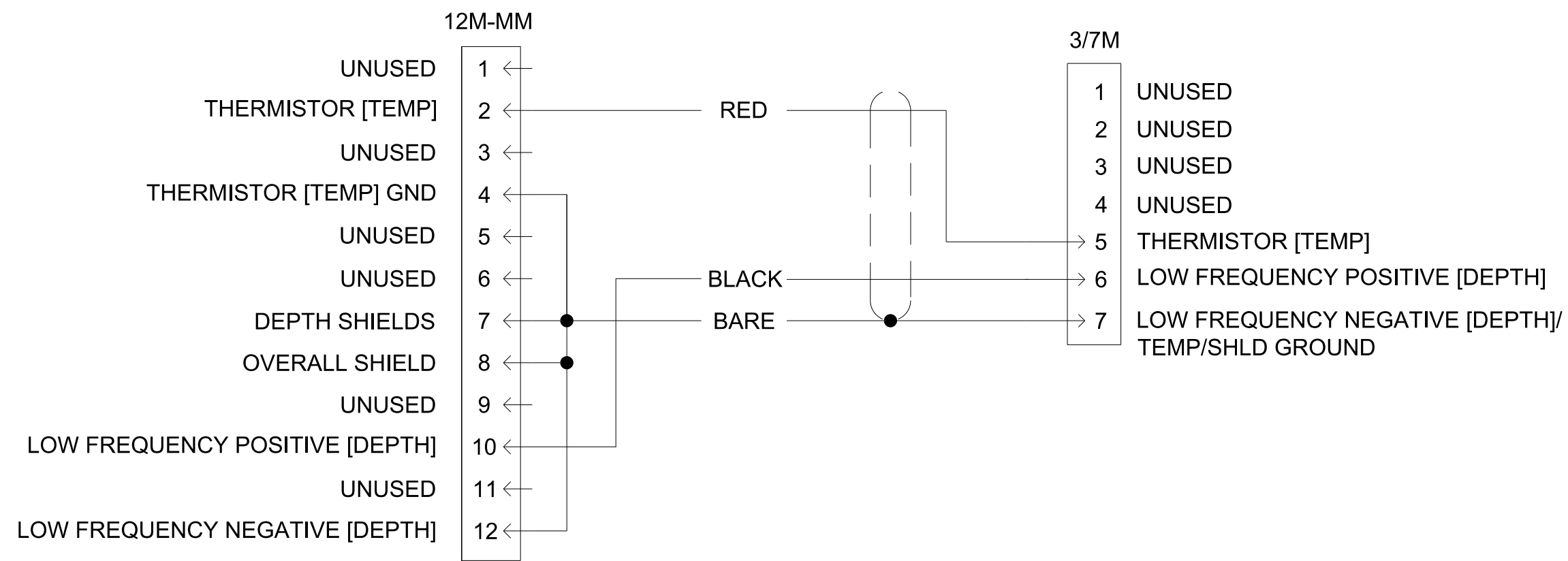
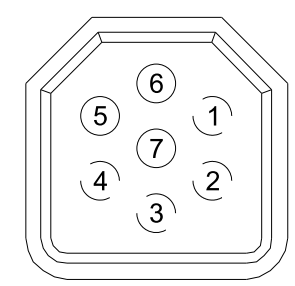


REV		DESCRIPTION	CO NO.	DATE	CHG/CHK
1		INITIAL RELEASE	--	06/13/23	RLE/WJL



CONTACT END VIEW  
12 PIN MALE



CONTACT END VIEW  
3/7 MALE JOHNSON OUTDOORS

UNLESS OTHERWISE SPECIFIED	SIGNATURE	DATE
DIMENSIONS ARE IN INCHES TOLERANCES ON 2 PL DECIMALS: ±0.02 3 PL DECIMALS: ±0.005 ANGLES: ±1/2° FRACTIONS: ±1/16 SURFACE FINISH: √63	DRAWN: R.EVANS	03/09/22
	CHECKED: I.ROBB	06/07/23
	APPROVED: W.LETENDRE	06/07/23

MATERIAL  
**AS NOTED**

PART NUMBER <b>N/A</b>		P/N REV <b>N/A</b>	
<p>AIRMAR TECHNOLOGY CORPORATION 35 MEADOWBROOK DR MILFORD NH 03055-4613 USA TEL: 603-673-9570 FAX: 603-673-4624</p>			
TITLE <b>WIRING, CBL ASSEMBLY, LF 12M-MM &amp; 3/7M JOHNSON OUTDOORS</b>			
SIZE <b>B</b>	SCALE: NONE SHEET 1 OF 1	DOC NUMBER <b>D-20620</b>	DOC REV <b>1</b>
CRITICAL DIMENSIONS		(REF)	DO NOT SCALE DRAWING

THIS DOCUMENT AND THE DATA DISCLOSED HEREIN OR HEREWITH IS NOT TO BE REPRODUCED, USED, OR DISCLOSED IN WHOLE OR IN PART TO ANYONE WITHOUT THE PERMISSION OF AIRMAR